

Worktop

1 Worktop - MFC 28 mm, ABS edge 2mm

OPTIONS WITH EXTRA CHARGE:

2 Grommet - 2 pcs, Ø 80 mm

3 Mediabox M14H - 2xRJ45 (class E, cat. 6);
+1 x USB + 3 x USB C + 1 x HDMI + 4x 230V

4 Mediabox M14 - 2xRJ45 (class E, cat. 6);
+1 x USB + 3 x USB C + 4x 230V

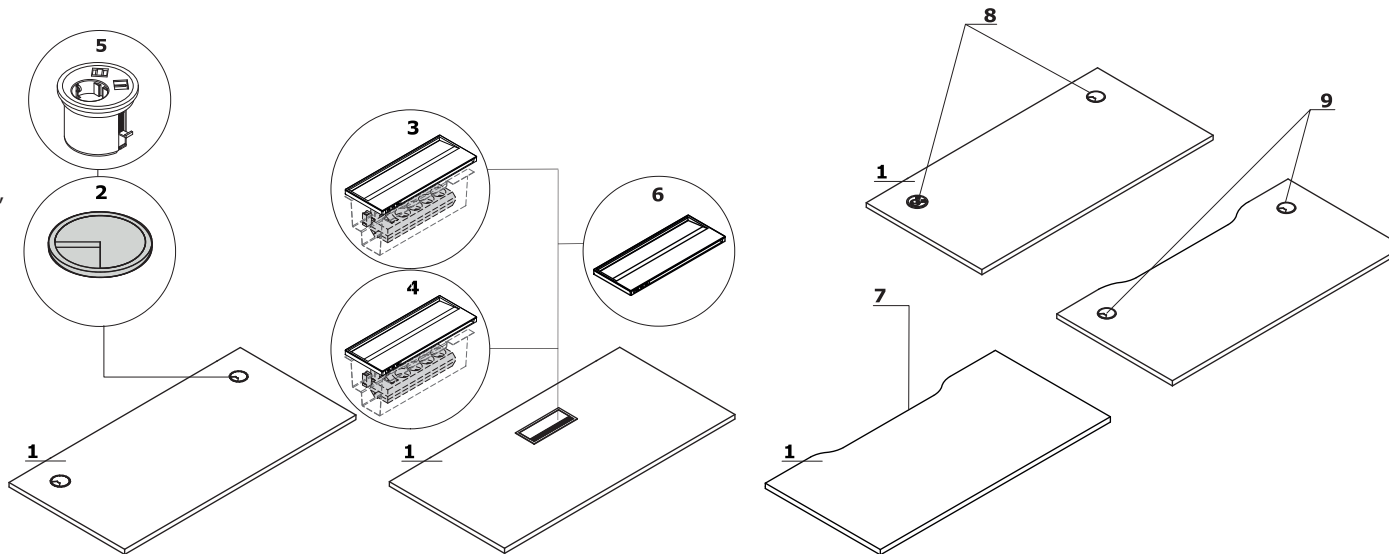
5 Mediabox M071 - 1 x 230V + USB A
charger + USB C charger, colour: black, white,
mounted instead of the existing grommet
Ø80mm (PK80)

6 Top access M15 - 3 x USB C

7 Cable way - the width of the opening is
proportional to the width of the
worktop

8 Mediabox M071 + cable grommets

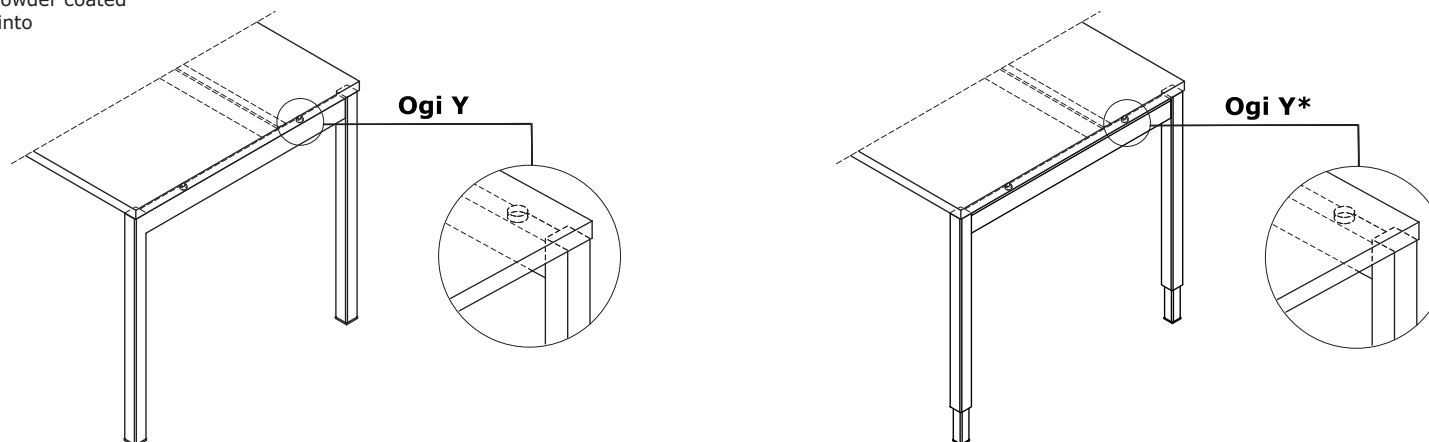
9 Cable way + cable grommets - desks
(51€), bench desks (102€)



Frame

Ogi Y - powder coated steel, profile
40x40 mm, spacer 10 mm between top and
frame

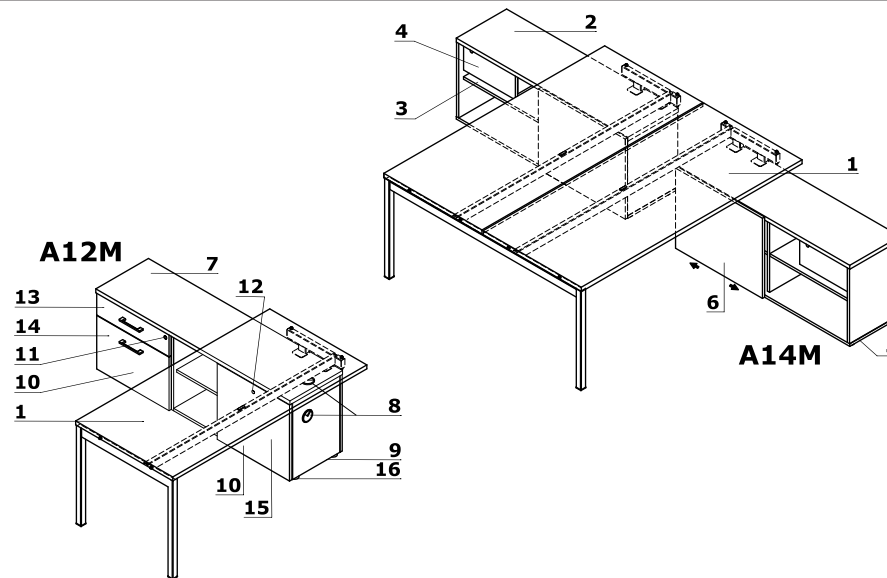
Ogi Y - with manual height adjustment
640-860 mm, every 20 mm*, powder coated
steel, telescopic profile: 30x30 into
40x40 mm



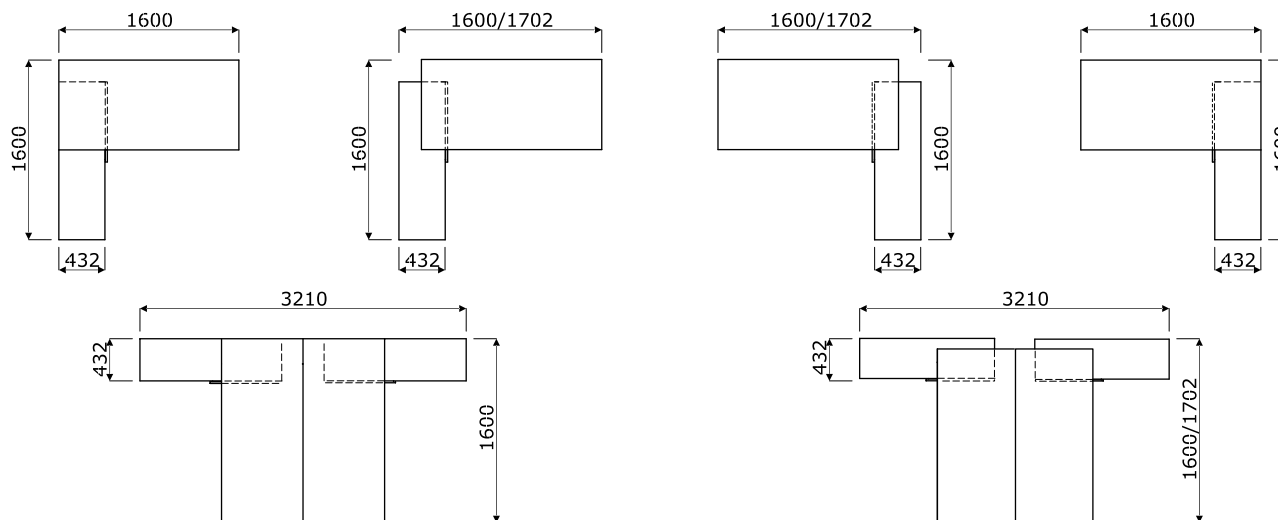
Desk with managerial storage

A14M:

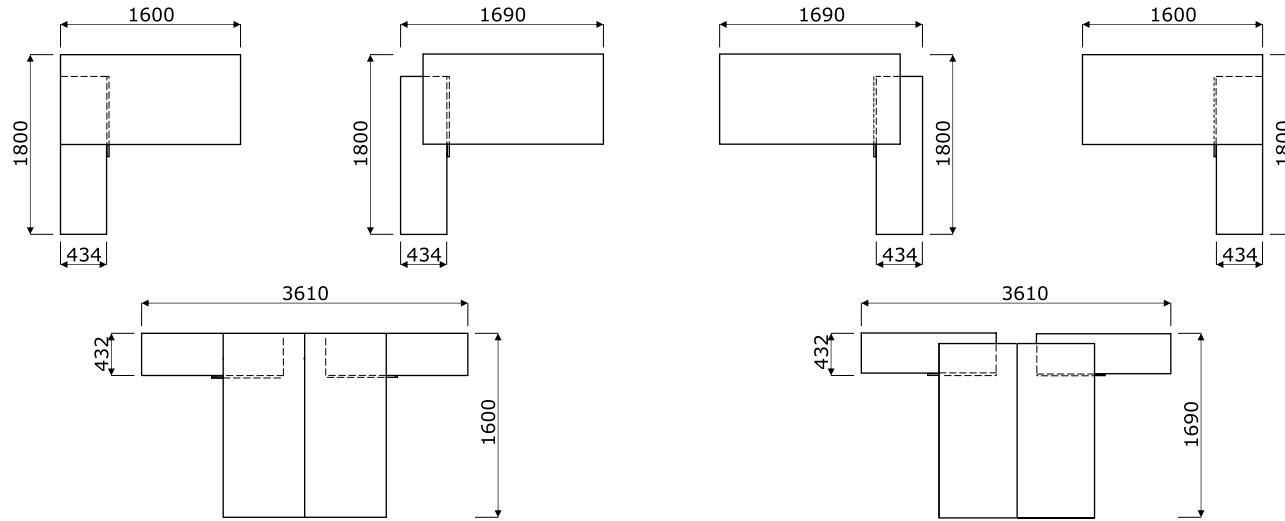
- 1 Worktop** - MFC 28 mm, ABS edge 2mm
 - 2 Top** - MFC 28 mm, ABS edge 2 mm
 - 3 Shelf** - MFC 18 mm, protection against accidental falling-out, ABS edge 2 mm, max load 30 kg
 - 4 Drawer** - MFC 18 mm, ABS edge 2 mm, patent lock - possible to change location
 - 5 Base** - MFC 18 mm, ABS edge 2 mm
 - 6 Front** - MFC 18 mm, ABS edge 2 mm
- A12M - OPTION WITH EXTRA CHARGE:**
- 7 Top** - MFC 28 mm, ABS edge 2 mm
 - 8 Cable grommets** - Ø80 mm
 - 9 Base** - MFC 18 mm, ABS edge 2 mm
 - 10 Front** - MFC 18 mm + HPL
 - 11 Central lock** - foldable key
 - 12 Patent lock**
 - 13 Metal drawer** - roll runners, max load 25 kg, 80% extraction, anti-tilt mechanism
 - 14 Suspension files drawer** - with bottom, ball runners, max load 45 kg, 100% extraction, Push-to-Open
 - 15 Drawer with bottom** - ball runners, max. load 40 kg, 100 % extraction, push-to-open, enough space for computer
 - 16 Leveling feet** - range 5 mm



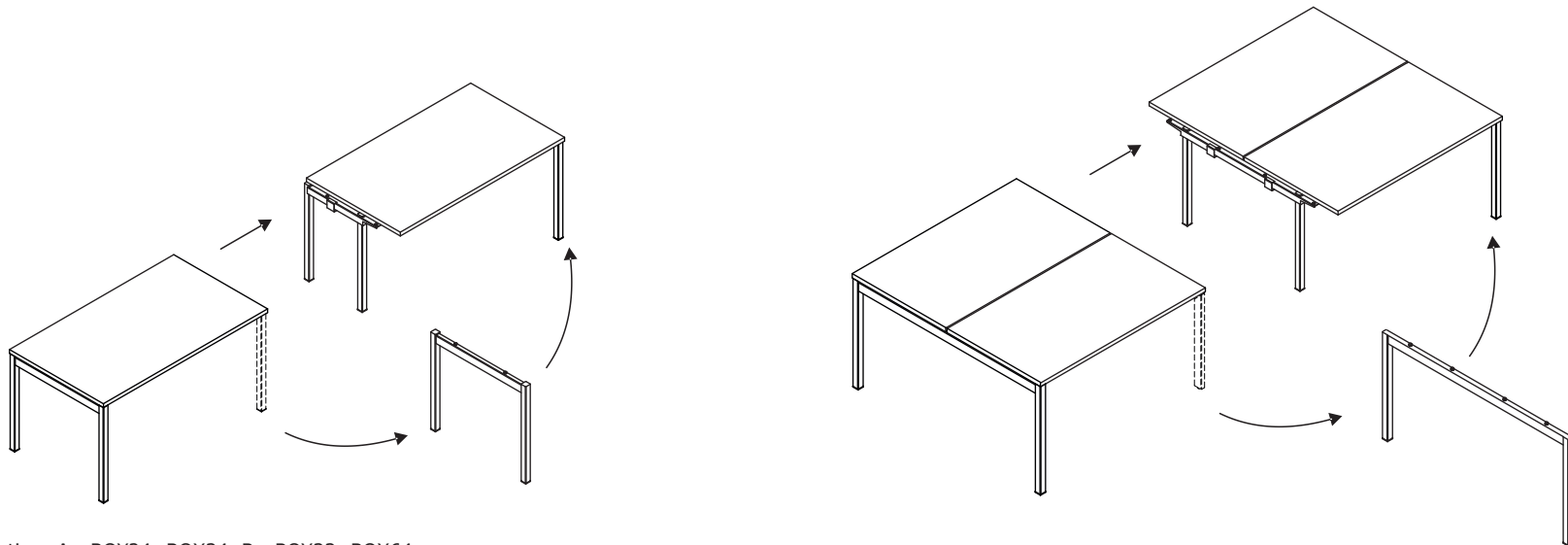
Configuration examples - desk with managerial storage - A14M (mm)



Configuration examples - desk with managerial storage - A12M (mm)



Expansion of single and bench desks



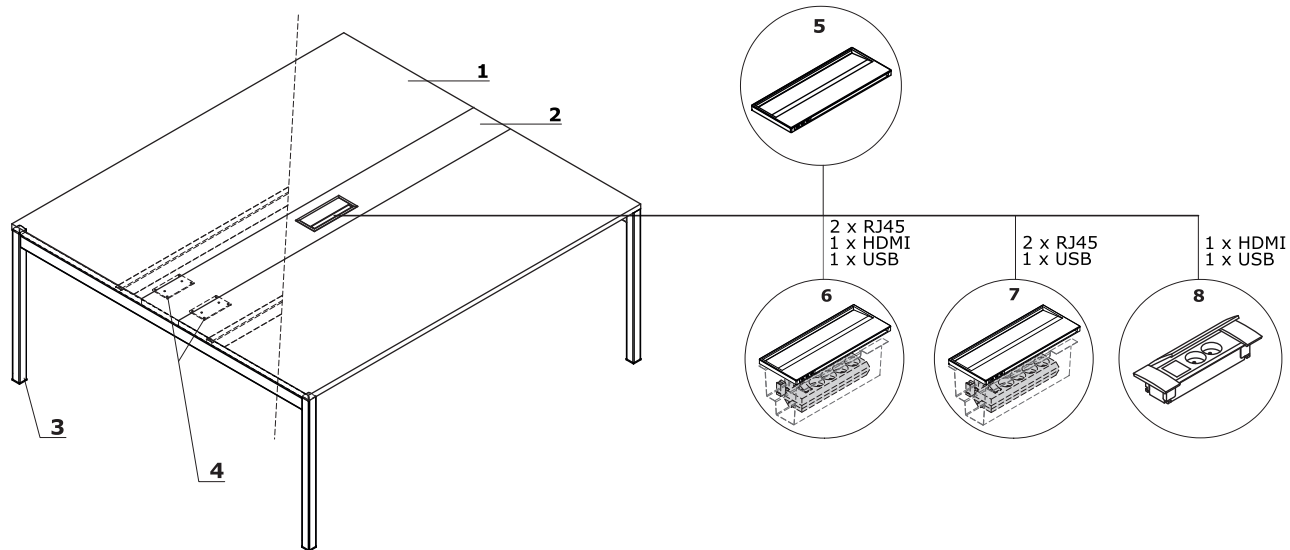
Example configuration: A - BOY24+BOX34, B - BOY33+BOX64

Conference table

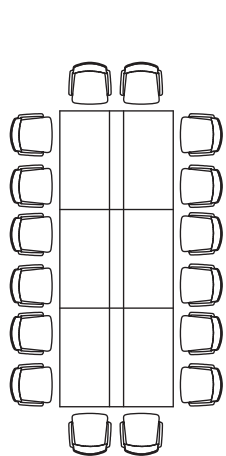
- 1 Worktop** - MFC 28 mm, ABS edge 2mm
- 2 MFC element** - without mediabox as standard
- 3 Leg** - powder coated steel, profile 40x40 mm
- 4 Fixing flat bar**

OPTIONS WITH EXTRA CHARGE:

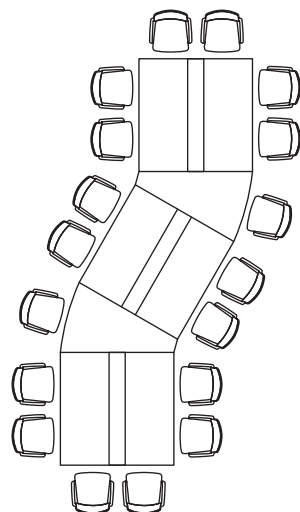
- 5 Top access M15** - 3 x USB C
- 6 Mediabox M14H** - 2xRJ45 (class E, cat. 6); +1 x USB + 3 x USB C + 1 x HDMI + 4x 230V
- 7 Mediabox M14** - 2xRJ45 (class E, cat. 6); +1 x USB + 3 x USB C + 4x 230V
- 8 Mediabox M06H** - OPTION WITH ADDITIONAL CHARGE - 2x230V+HDMI+USB, colour: anodised aluminium, white, black



Chairs arrangement



SY04 + 2x SY14



3x SY24 + 2x BOX50